

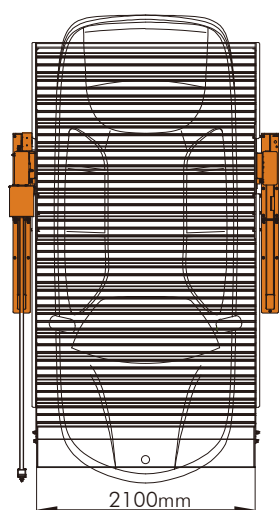
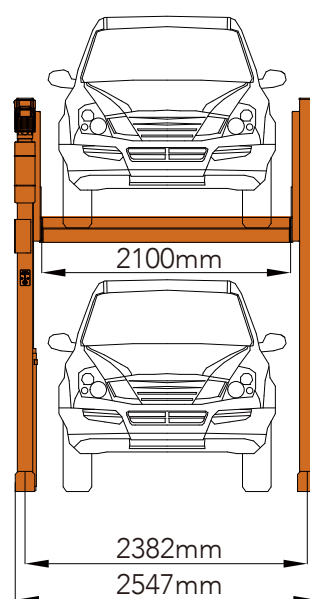
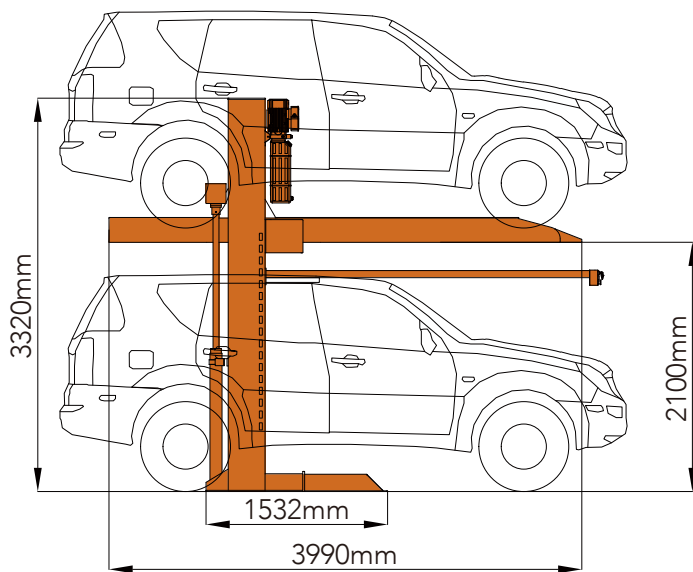
Certified by



Hydro-Park 1127 & 1123 are the most popular parking stackers, quality proven by more than 20,000 users in past 10 years. They provide a simple and greatly cost-effective way to create 2 dependent parking spaces above each other, suitable for permanent parking, valet parking, car storage, or other places with attendant. Operation can be easily made by a key switch panel on control arm.

- Lifting capacity 2700kg or 2300kg.*
- Car heights on ground up to 2050mm.*
- Platform width up to 2500mm.*
- Lifting height adjustable by limit switch*
- Electric auto lock release enables easier operation.*
- 24v control voltage avoids electric shock*
- Galvanized platform, high-heel friendly*
- Bolts & nuts passing 48hrs Salt Spray Test.*
- Driven by hydraulic cylinder + Korean lifting chain*
- Synchronization chain keeps platform level under all conditions*
- Akzo Nobel powder coating provides long lasting surficial protection*
- Proven high end quality with CE certificate, tested by TUV.*

### Dimensions & Specifications



Lifting capacity	2700kg / 6000lbs
Lifting height	2100mm / 83 inches
Usable platform width	2100mm / 83 inches
Power unit	2.2Kw hydraulic pump
Available voltage of power supply	100V-450V, 1 or 3 Phase, 50/60Hz
Operation mode	Key switch
Operation voltage	24V
Safety lock	Dynamic anti-falling lock
Lock release	Electric auto release
Rising / descending speed	<35s
Finishing	Powder coating with Akzo Nobel powder